

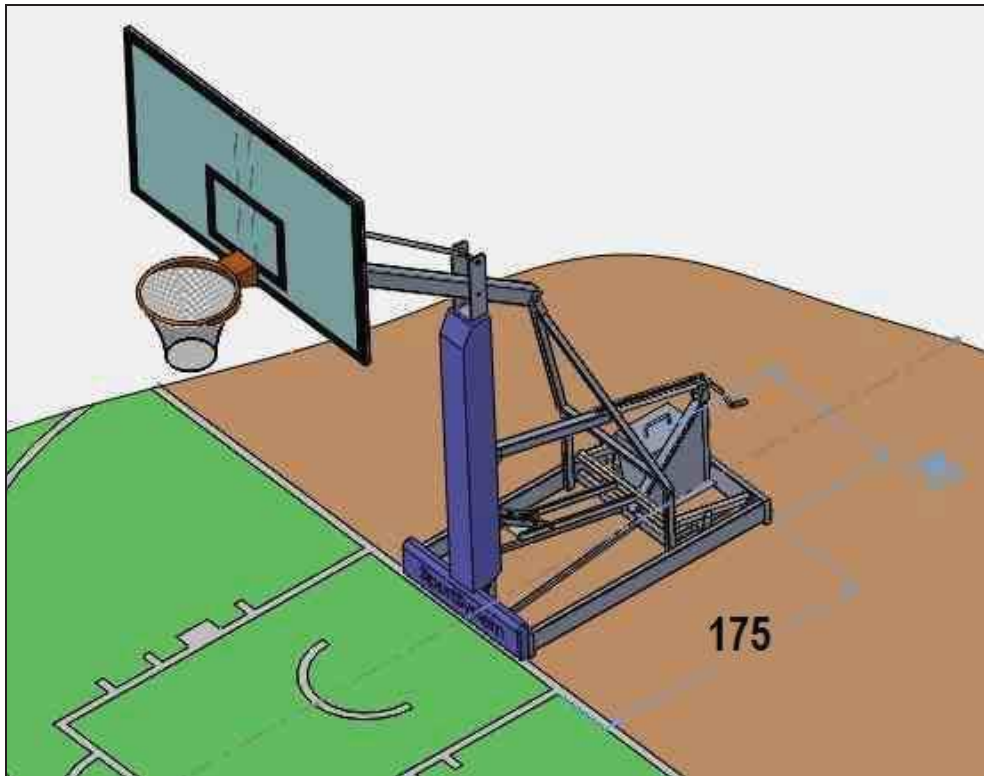
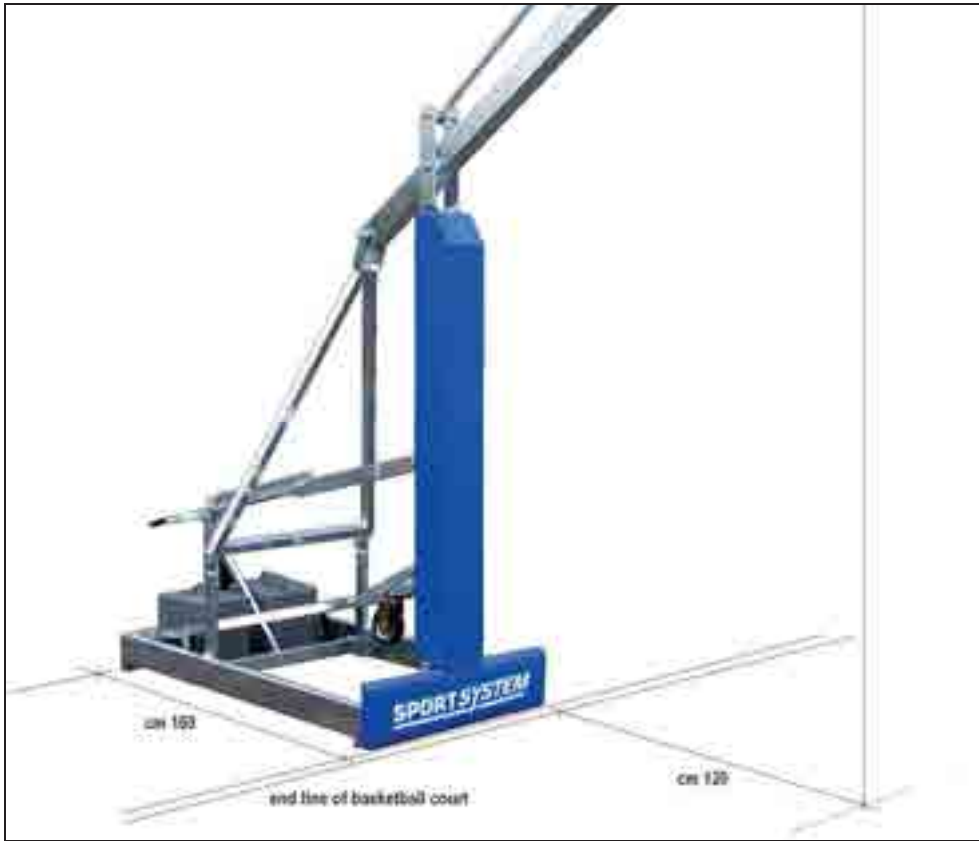


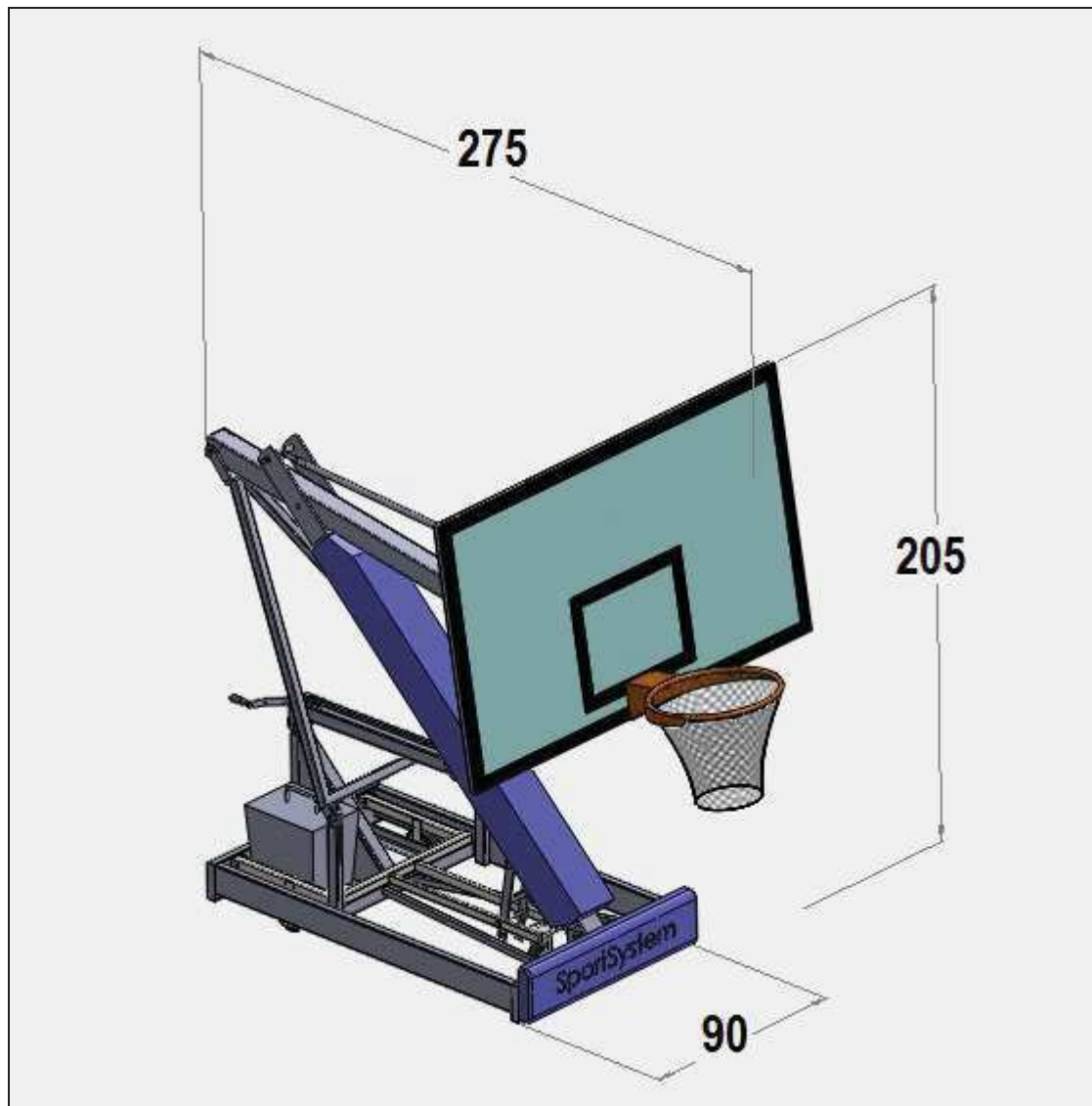
BASKET



NEW CODE	DESCRIPTION
S04124	<p>Easyplay College portable basketball backstops. Varnished steel tubing structure with short projection of just 125 cm. Backstop's movement on the floor is done by using three rubber wheels incorporated in the system itself, raising and lowering following movement of structure. Space for counterweight (ballast included for 110 kgs made of 2 concrete blocks with handle) on back side of the base. Front protective pads covered with synthetic washable material. Mechanical height adjustment by means of handle with easy setup of mini-basket and basket heights. Equipped with 18 mm chipboard backboards (for indoor use) on varnished steel frames, fixed varnished steel rings and cotton nets. To be fixed to the floor with screws during use.</p>







WARNING:

This basketball units must be used for the purpose it was designed for.
Structure must be fixed to the floor while using.
It is forbidden to climb on the basketball backstop.
It is forbidden to hang on the basketball ring.
The unit must always be correctly installed to the ground and fixed in its components.

MAINTENANCE:

No special maintenance is needed. Manufacturer suggests to check status of screws and tighten them periodically (6-8 months).



Italia

Attestation of Conformity

No.: VA_MEC 13 07 016

Holder of Attestation : SPORT SYSTEM di Pradal Celestino & C. S.A.S.
Via del Lavoro,2 31020 San Fior (TV)

Product: Basketball equipments

Model(s): Hydroplay Official Manual – S04106,
Hydroplay Official Electric – S 04108,
Easyplay Official – S04110,
Easyplay Training – S04113,
Hydroplay Club Manual – S04118
Hydroplay Club Electric – S04120
Easyplay College Zinc coated – S05106,
Easyplay College Varnish coated – S04124,
Basketball equipment "Welded" – S04030
Basketball equipment "2 pieces" – S04032,
Basketball equipment "adjustable"– S04036
Fixed ring - S04232
Reclinable ring - S04236
Reclinable 180° ring – S04237
Reclinable ring - S04234

Tested acc. to: EN 1270:2008

Test report no.: MEC13077.00

Factory inspection not required and not performed

Remarks:

Products tested had no change in design, materials, components or processing according to license holder declaration. This Attestation refers to the tested samples described in the Test report above mentioned.

The series production is not subject to a control and is not part of this document.

In case of any changes this attestation will expire and products may require repetition of some tests in order to retain the approval.

This attestation doesn't allow the use of TÜV-SÜD mark.

Scarmagno (TO)

Date: 2013-07-02


Nicola Beruti
TUV Italia Srl - Division Manager Product Service